

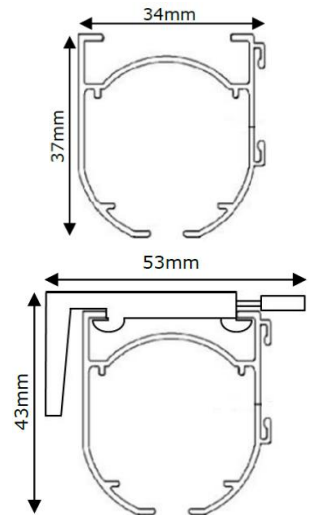
ROMAN BLIND SPECIFICATION

HEADRAIL DIMENSIONS

- The headrail width (including velcro strip channel) is: 34mm
- The headrail height is: 37mm

HEADRAIL + BRACKET DIMENSIONS

- The projection of the headrail + fixing brackets is 53mm
- The height of the headrail + fixing bracket is 43mm
- The fixing bracket is universal – it can be face (wall) or top (ceiling) fixed.



BRACKETS

- Colour: White
- Composition: Steel

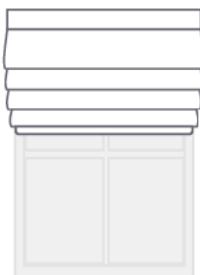
WIDTH	# OF BRACKETS SUPPLIED
Up to 120cm	2
>120cm to 200cm	3
>200cm	4

BLIND

- Minimum width: 60cm – Maximum width: 240cm
- Minimum height: 30cm – Maximum height: 240cm
- Fabric panel attachment to headrail – white Velcro strip, white.
- Fabric to cover full length of headrail.
- Strip depth: 2cm
- Blind supplied attached to the headrail.
- The secured position of the fabric panel (via the Velcro fastening) can be adjusted once the blind is fitted to cover the brackets if desired.
- Bottom bar pocket size: 40mm
- Bottom pocket to have opening at both sides to allow the bottom bar weight to be inserted/removed.
- Bottom bar weight composition: White Plastic
- Manufacturing tolerance: +/-5mm on width and +/- 10mm on height.

FABRIC FOLDS

- The fabric panel is manufactured with standard cascade folds.
- Each fold finishes lower than the one in front even when fully folded up, providing a waterfall effect.



Blind Height (cm)	Approx Stack Height (cm)
60	22
120	24
180	26
240	28

CORDS

- Colour: White
- Thickness: 1.2mm
- Composition: Polyester

WIDTH	# OF CORDS
Up to 120cm	2
>120cm to 200cm	3
>200cm	4

LINING OPTIONS

Option	Colour	Composition
Standard Dimout	Cream	52% Polyester, 48% Cotton
Blackout Thermal	Cream	100% Polyester

JOIN SEAMS

- When joins are necessary due to the width of the blind, three panels will make up the main fabric panel.
- The seams joining the separate sections of fabric will be inserted with equal distance from the edge down each side of the blind.
- The centre panel will consist of a full length of fabric with the two outer panels cut evenly to match.
- 10mm of fabric visible at the back of blind.
- Thread will be colour matched to the fabric.

